

TIBCON Submersible Pump capacitors are developed after extensive Research and Development. Our team has studied electrical characteristics of a submersible pump panel and has developed unique capacitors that can withstand the load of submersible pump current for many years.

The capacitors are subjected to extensive and vigorous testing and as a result we are able to give the submersible pump industry capacitors that can be matched by none in



TIBCON ADVANTAGE

Unique Features

- Made with special technology metalized film that extends the life of the capacitors.
- Can withstand voltage fluctuations in a submersible pump panel.
- Can operate with the same efficiency over a wide range of temperatures and humidity.
- Manufacturing process of the capacitor is tailor made to suit the requirements of the submersible pump. Hence reliability is much higher than general motor run capacitors.



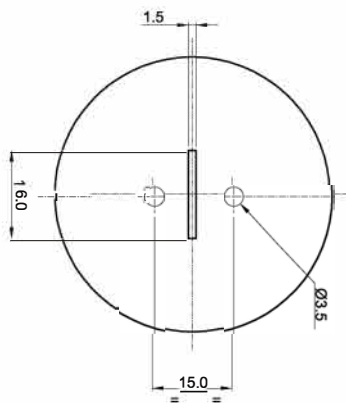
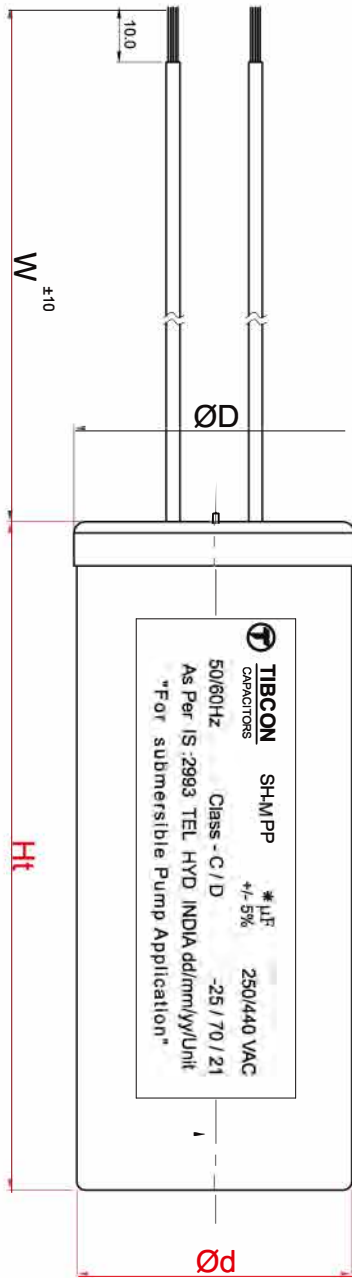
Tibrewala Electronics Limited

Tibrewala Electronics Limited, Hyderabad, is one of India's leading Capacitor manufacturer with ISO 9001-2008 certification. We are equipped with the latest and world class state-of-the-art manufacturing plant.

Manufactured by :
 TIBREWALA ELECTRONICS LTD.
 6-56/2/40, Bombay Highway, Balanagar, Hyderabad-500 037, AP, INDIA.
 Tel : +91 40 23775351, Fax : +91 40 23775360, Email : info@tibcon.net
 Visit us at : www.tibcon.net

© Reproduction, publication and dissemination of this technical literature and the contents therein without TIBREWALA ELECTRONICS LTD. prior written permission is strictly prohibited





250V/440V SUBMERSIBLE PUMPS				
S.NO.	* MFD	ØD	Ht	Voltage
1	36.00	40.0	95	250/440
2	45.00	45.0	95	250/440
3	50.00	45.0	95	250/440
4	72.00	45.0	95	250/440

440V SUBMERSIBLE PUMPS			
S.NO.	*MFD	ØD	Ht
1	25	40.0	75
2	25	45.0	95
3	30	40.0	72
4	30	45.0	95
5	36	45.0	95
6	36	45.0	120
7	40	40.0	95
8	45	45.0	95
9	50	50.0	95
10	50	45.0	120
11	60	50.0	95
12	72	50.0	95
13	100	45.0	120

DETAIL SPECIFICATION

- ENCLOSURE : POLYPROPYLENE CAN
- ELECTRODE : ZINC / Al. HEAVY EDGE
METALLIZED PP FILM
- DIELECTRIC : POLYPROPYLENE FILM
- CONSTRUCTION : DRY TYPE
- TERMINATION : PVC WIRE (BLACK COLOUR)
- MARKING : AS PER PRINTING DETAILS